

# EKKO<sup>®</sup>

MATERIAL HANDLING EQUIPMENT

**MOVING AHEAD**

# COUNTERBALANCE STACKER EK13 & EK14 SERIES

- Load Capacity 2860-3300 lbs.
- Lift Height 118 - 138 in.
- EPS (Elec. Power Steer)
- Length 109 in.
- Curtis Instrument Controller
- Tilt 2/5 degree
- Mast Height 78 – 84 in.
- Batteries & Charger Included
- 3 Year Limited Warranty



[www.ekkolifts.com](http://www.ekkolifts.com)

## EK13 & EK14 SERIES

**Superior quality, maneuverable, compact, and durable for all your material handling applications. Ideal for small aisles and areas.**

**WEIGHT CAPACITY:** 2860-3300 lbs. @ 24" load center

**LIFT HEIGHT:** 118" or 130" (9.8 ft. or 10.8 ft)

**FORK LENGTH:** 45.3"

**MAST HEIGHT:** 78" or 84"

**TURNING RADIUS:** 57"

**TILT:** 2/5 degree

**BATTERY / CHARGER:** 24V 210AH,  
24-volt Industrial batteries with external direct  
connect 110A 110VAC plug-in automatic 24V/30A  
charger (both Included)

**BRAKING:** Electromagnetic Brakes

**SPEED TRAVEL:** 3.7 mph empty ; 3.5 mph loaded

**LIFTING SPEED:** 5.1 ips empty; 4 ips loaded

**LOWERING SPEED:** 4.7 ips empty; 5.3 ips loaded

**DRIVE WHEELS:** 10" x 2.75" Polyurethane

**LOAD WHEELS:** (2) 9.5" x 4.75" Polyurethane

**HYDRAULICS LIFTING MOTOR:** 24V 2500 Watt lifting motor with hardened chrome moly steel for durability.

**DRIVE MOTOR:** 24V 2500 Watt German ZF AC drive motor for efficiency and high torque.

**STEERING MOTOR:** EPS (Electronic Power Steering) 24V 200 Watt

**AC CONTROLLER:** 24V CURTIS Instrument provides performance through entire range of speed; Constant travel speed regardless of load; Battery discharge indicator combination gauge.

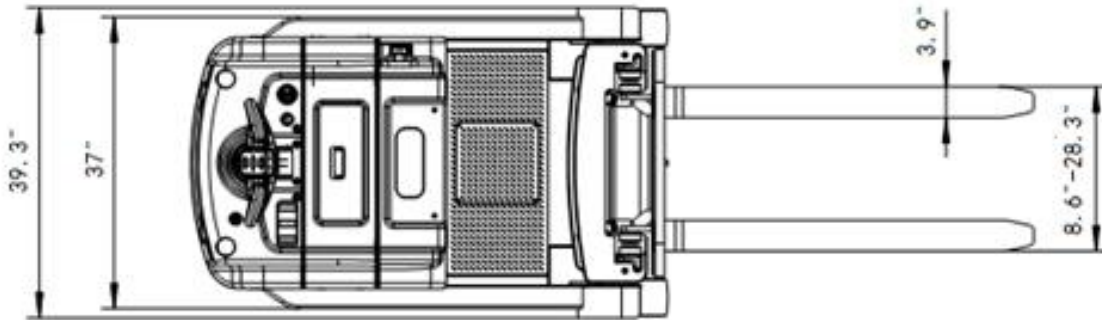
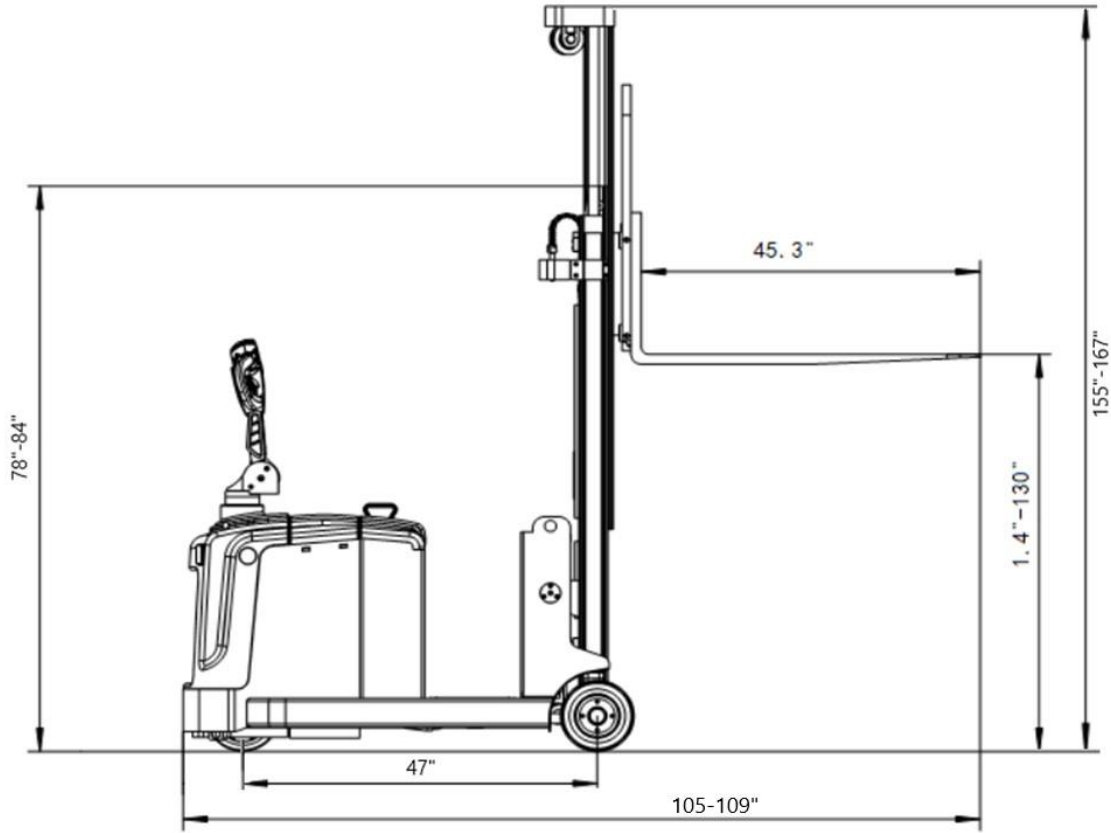
**BRAKES:** Electro-magnetic braking for secure stopping power; Electronic neutral braking for accurate control.

**OPERATOR CONTROLS:** EPS (Electric Power Steering), tilt lifting, lowering, horn functions are located in the ergonomic handle; Belly button reverse safety feature allows the unit to stop and reverse to avoid collision or injury.

**CHASSIS AND MAST:** Robotic Welding; Heavy duty steel chassis with I-beam mast for durability; Telescoping mast.



# Counterbalance Stacker



MODEL #	LOAD	MAST	LIFT HEIGHT	MAX MAST HEIGHT	TOTAL LENGTH	SERVICE WEIGHT
EK13	2860lbs	78"	118"	155"	105"	3652
EK13-130	2860lbs	84"	130"	167"	105"	3750
EK13-138	2860	88"	138"	174"	105"	3830
EK14	3300lbs	78"	118"	155"	109"	3740
EK14-130	3300lbs	84"	130"	167"	109"	3840