

PDS25

Power Drive Straddle Trucks

SHORT TURNING RADIUS MAKES THE PDS AN EXCELLENT CHOICE FOR NARROW AISLES, TOOL ROOMS OR STREET LOADING APPLICATIONS



CAPACITY

2500 lbs. at 24" load center

BATTERY

Compartment: 26.37" x 9.06" x open. Anderson 175 Gray—A-11 Minimum battery weight 340 lbs.

SPEED

24-volt ZAPI ACO Travel Controller

TRAVEL

Variable from 0 mph to 3.4 mph empty
Variable from 0 mph to 3.1 mph loaded

LIFT

Up to 33 fpm empty.
Up to 25 fpm loaded

LOWERING

Up to 29 fpm empty.
Up to 57 fpm loaded

WEIGHT

1943 lbs. Chassis Only

TIRES / WHEELS

DRIVE

9" x 3" polyurethane

DUAL LOAD

(2) 3.9" x 2" polyurethane

HYDRAULICS

Lift cylinder is hard chrome. Pump unit includes motor, gear pump, and solenoid. Pressure compensated lowering valves regulates lowering speeds.

ELECTRICAL

ZAPI AC travel controller and AC drive motor provides high torque throughout the entire drive range. Regenerative braking and brushless design drastically reduces maintenance.

Travel speed remains constant relative to throttle position regardless of the load on truck. Automatic resetting circuit breaker and one piece micro switch design complete the system.

BRAKES

Electromagnetic brake is mounted on motor armature shaft multiplying the braking power through the ZF GK10 transmission.

Brake is applied when control arm is in the vertical or horizontal handle position. Travel speed is reduced when forks are above 12" fork height. Neutral braking resists roll back on ramps.

CONTROLS

Travel, lift, and lower functions are located in the ergonomic operator handle, designed to allow operation with either hand. Wrap around guard, reversing switch, thumb control, and horn are standard.

Crawl speed function while steer handle is slightly back-tilted from vertical. This allows for easy maneuvering at reduced travel speeds in tight places.

TRANSMISSION

Vertically mounted drive motor is direct mounted to gear housing. Oil bathed ZF GK10 hypoid bevel gear drive-train transfers power to axle. State of the art optimized gear technology supplies advantages such as minimal envelope circle, zero maintenance, low noise level, high efficiency and high performance.

FRAME AND MAST

Bolt-on high visibility I-beam construction, lift cylinders are positioned in outer I-beam for good operator visibility through mast. Dual lifting chains.

Three inch wide adjustable straddle legs allow easy operation in racked aisles. Straddle leg inside dimension (ID) can be set at 38" to 50" in 4" increments; 42" to 50" with the triple stage mast

Class two ITA fork carriage with 36" tall load back rest.

BEARINGS

DRIVE WHEEL-Tapered roller bearings sealed in oil bath
LOAD WHEELS-Sealed ball bearings

ACCESSIBILITY

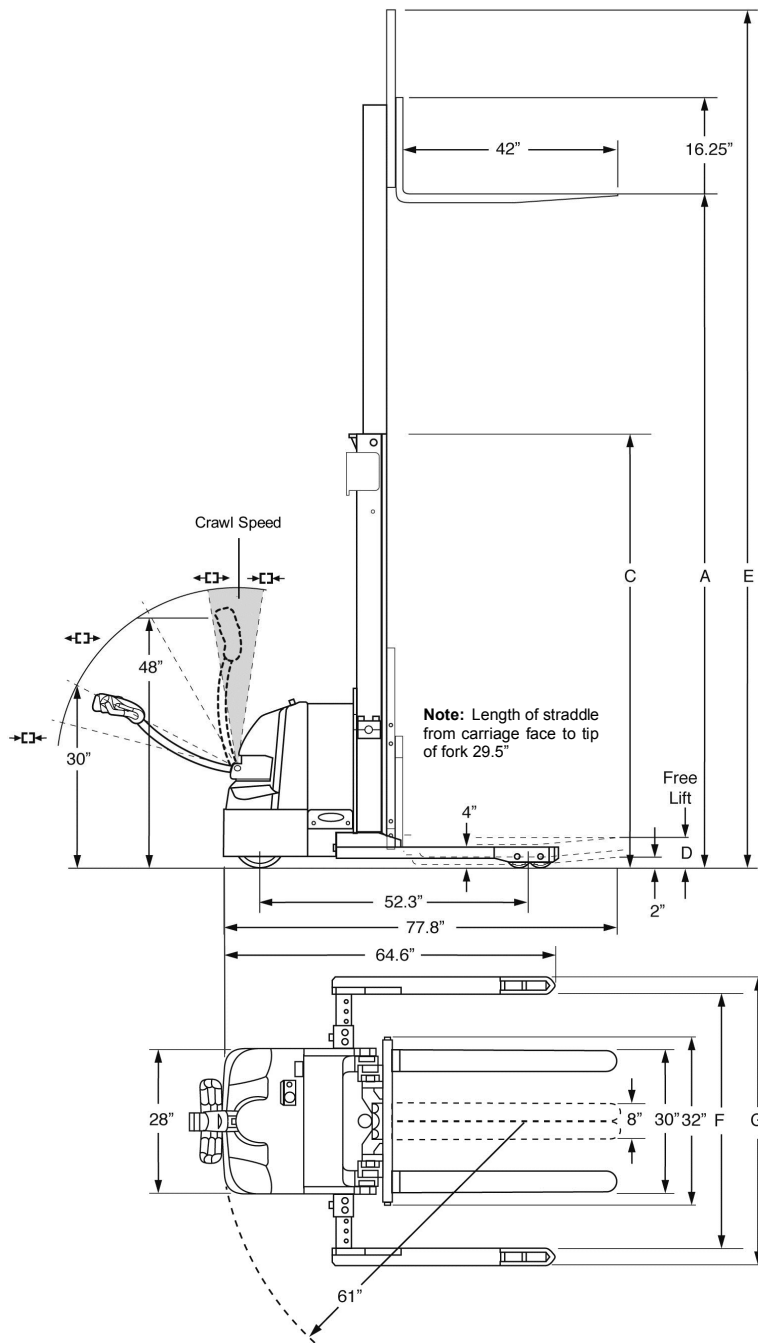
Removal of two piece power head cover exposes major components for inspection and maintenance. Drive wheel is removed with one nut.

STANDARD EQUIPMENT

- Adjustable Straddle Legs
- 3" Wide Straddle Leg
- Regenerative Neutral Braking
- Creep Speed Handle Control
- Gas Assist Spring Handle
- Low Battery Interrupt
- Hour Meter BDI Combo Gauge
- Key Switch

OPTIONAL EQUIPMENT

- 48" tall load backrest
- Cold conditioning
- Four Pack Power MF 224 AH / 5.4 kwh 110VAC plug-in charger
- Industrial Battery 255 AH 5.9 kwh

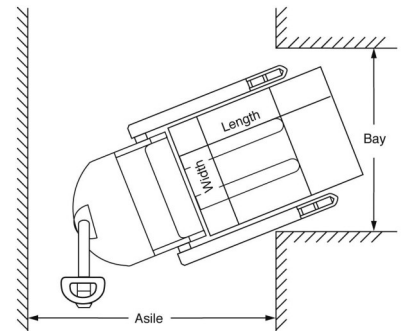


Aisle Guide

PDS25 - Right Angle Stacking

Load Width	Load Length		
	36"	40"	48"
36"	63.5"	63.5"	63.5"
40"	64.5"	64.5"	64.5"
48"	69.5"	69.5"	69.5"

For ease of use add 8" to aisle dimension listed



Aisle dimensions listed above assume the minimum bay width to be straddle OD plus 5" (2.5" on each either side of straddle leg). Straddle OD is the load width plus 8". Truck performance may vary due to application requirements and changes in model design.

Add: 2" to aisle for model PDS25-157 with triple stage mast.

Model #	Mast	Lift Height	Col Height	Free Lift	Ext Height w/LBR	Adjustable Straddle Leg 4" Increments		³ Weight Chassis Only
		A	C	D	E	F	G	
2500 Capacity @ 24" Load Center ITA Class II Fork Carriage								
PDS 25-106	Two Stage	106	71	6	142	38 to 50	44 to 56	1726
PDS 25-130	Two Stage	130	83	6	166	38 to 50	44 to 56	1816
¹ PDS 25-157	² TriMast	157	71	50	193	42 to 50	48 to 56	2156

¹Derate 500 lbs. above 142"

¹¹Consult factory for derate

²Minimum straddle ID 42"

³Estimated shipping weight without battery