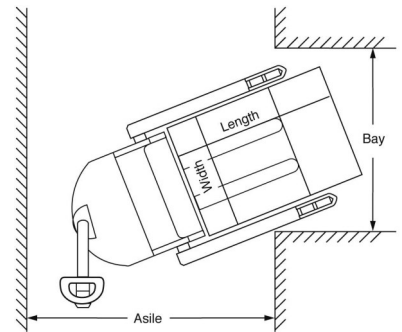


Aisle Guide

PDS30 - Right Angle Stacking

Load Width	Load Length		
	36"	40"	48"
36"	67.6"	67.6"	67.6"
40"	69.1"	69.1"	69.1"
48"	73.4"	73.4"	73.4"

For ease of use add 8" to aisle dimension listed. If sideshift option is used add 2".



Aisle dimensions listed above assume the minimum bay width to be straddle OD plus 5" (2.5" on each either side of straddle leg). Straddle OD is the load width plus 10". Truck performance may vary due to application requirements and changes in model design.

Model #	Mast	Lift Height	Col Height	Free Lift	Ext Height w/LBR	² Adjustable Straddle Leg 4" Increments		³ Weight Chassis Only
		A	C	D	E	ID F	OD G	

3000 Capacity @ 24" Load Center ITA Class II Fork Carriage

PDS30-104	Two Stage	104	7□	6	142	42 to 50	50 to 58	2042
PDS30-126	Two Stage	126	83□	6	165	42 to 50	50 to 58	2172
PDS30-157	TriMast	157	7	50	193	42 to 50	50 to 58	2444
*PDS30-177	TriMast	177	□	58	213	42 to 50	50 to 58	2539

*Derates 1000 LBS above 162"

² Minimum inside dimension (ID) 42" Outside dimension = inside dimension + 8"

³ Estimated shipping weight without battery

